



US00D424364S

**United States Patent** [19]  
**Persson**

[11] **Patent Number: Des. 424,364**  
[45] **Date of Patent: \*\* May 9, 2000**

[54] **OPEN-AIR STOVE**  
[75] Inventor: **Jerker Persson**, Göteborg, Sweden  
[73] Assignee: **Primus AB**, Solna, Sweden  
[\*\*] Term: **14 Years**

D. 371,716 7/1996 Jo ..... D7/337  
D. 375,223 11/1996 Parnell et al. .... D7/337  
4,177,790 12/1979 Zenzaburo ..... 126/38  
4,454,859 6/1984 Vincent ..... 126/38  
5,803,727 9/1998 Long ..... 431/247

[21] Appl. No.: **29/082,096**  
[22] Filed: **Jan. 14, 1998**

*Primary Examiner*—Ruth McInroy  
*Attorney, Agent, or Firm*—Banner & Witcoff, Ltd

[30] **Foreign Application Priority Data**

[57] **CLAIM**

The ornamental design for an open air stove, as shown and described.

Jul. 14, 1997 [SE] Sweden ..... 97-1611

**DESCRIPTION**

[51] **LOC (7) Cl.** ..... **07-02**  
[52] **U.S. Cl.** ..... **D7/337**  
[58] **Field of Search** ..... D7/332-337, 402-404,  
D7/362; 126/9 R, 25 R, 29-30, 38, 39 E,  
40, 41 R, 39 R, 9 B, 44; 431/247, 207

FIG. 1 is a top perspective view of an open air stove showing my new design; and,  
FIG. 2 is a bottom perspective view of the open air stove shown in FIG. 1.

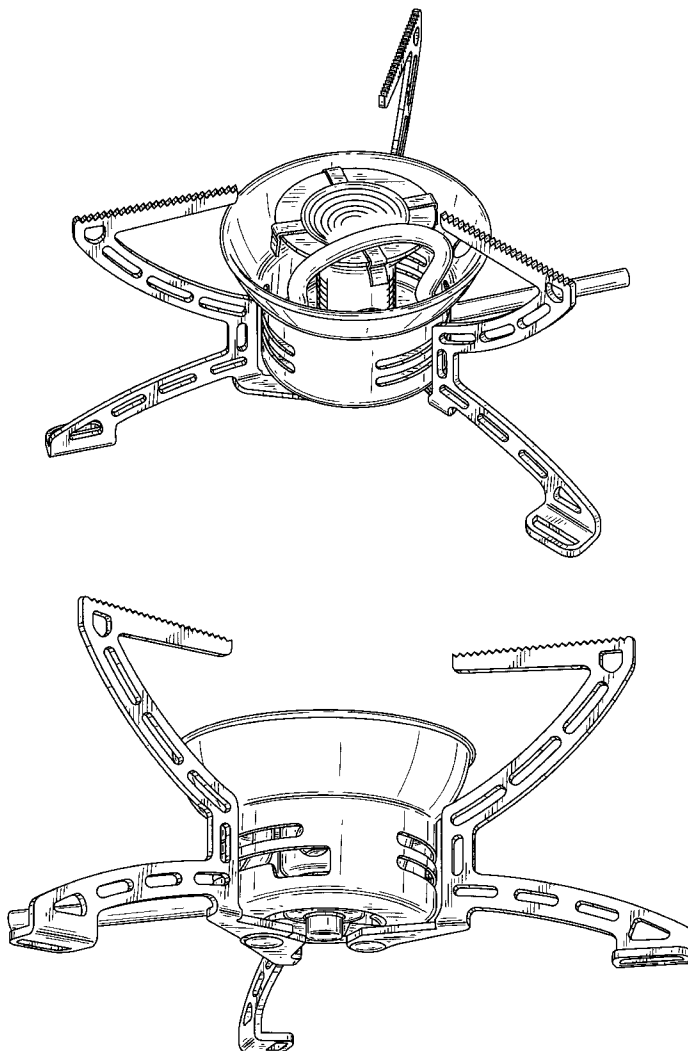
The portions of the article not shown in FIGS. 1 and 2 or described in the specification form no part of the claimed design.

[56] **References Cited**

**U.S. PATENT DOCUMENTS**

D. 355,809 2/1995 Kothrade ..... D7/337

**1 Claim, 2 Drawing Sheets**



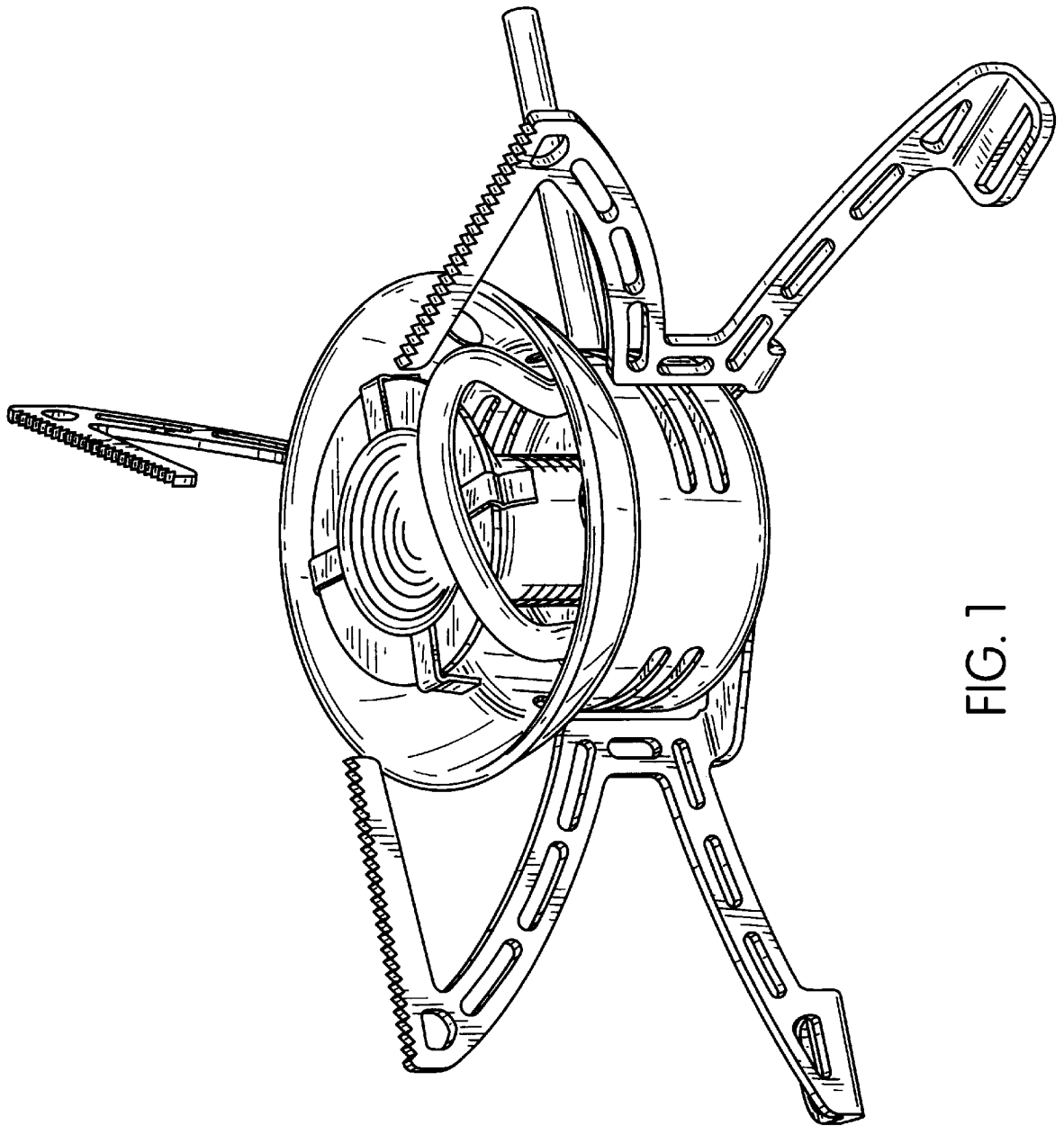


FIG. 1

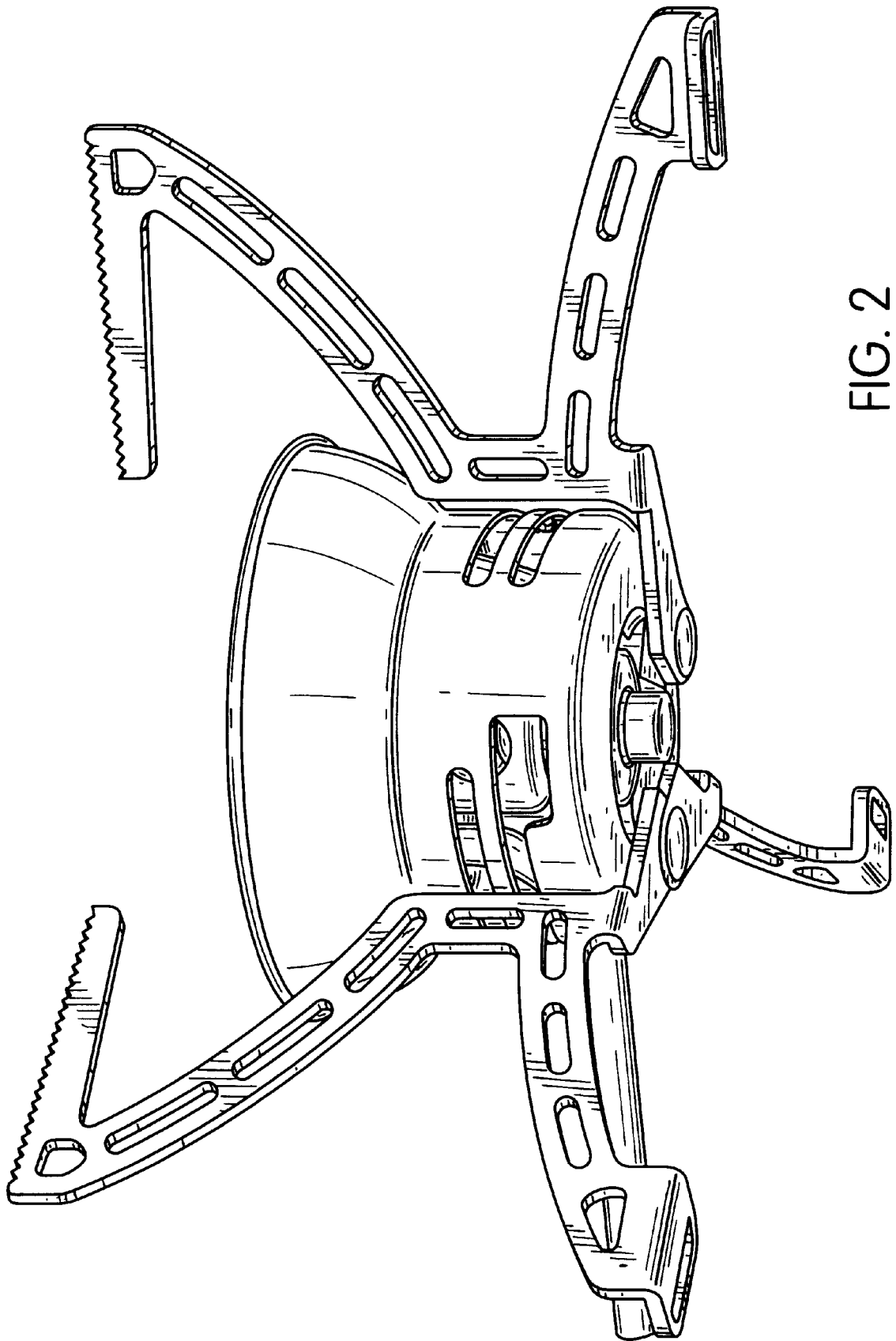


FIG. 2