



US00D422452S

United States Patent [19] Persson

[11] **Patent Number: Des. 422,452**
[45] **Date of Patent: ** Apr. 11, 2000**

[54] **CUP FOR AN OPEN AIR STOVE**
[75] Inventor: **Jerker Persson**, Göteborg, Sweden
[73] Assignee: **Primus AB**, Solna, Sweden
[**] Term: **14 Years**

D. 229,277	11/1973	Ming-Kong	D7/337
D. 246,151	10/1977	Chan	D7/337
D. 249,448	9/1978	Vache	D7/337
5,370,527	12/1994	Hefling et al.	431/247
5,513,624	5/1996	Vorhis	126/38
5,704,777	1/1998	Measom	431/329

[21] Appl. No.: **29/082,098**
[22] Filed: **Jan. 14, 1998**

Primary Examiner—Ruth McInroy
Attorney, Agent, or Firm—Banner & Witcoff, Ltd.

[30] Foreign Application Priority Data

Jul. 14, 1997 [SE] Sweden 97-1611

[57] CLAIM

The ornamental design for a cup for an open air stove, as shown and described.

[51] **LOC (6) Cl.** **07-02**
[52] **U.S. Cl.** **D7/402; D7/332**
[58] **Field of Search** D7/339-349, 402-409,
D7/337; 126/9 B, 9 R, 25 R, 29-30, 38,
39 E, 40, 41 R, 39 R, 44; 431/247

DESCRIPTION

FIG. 1 is a top perspective view of a cup for an open air stove showing my new design; and, FIG. 2 is a bottom perspective view of the cup for open air stove shown in FIG. 1.

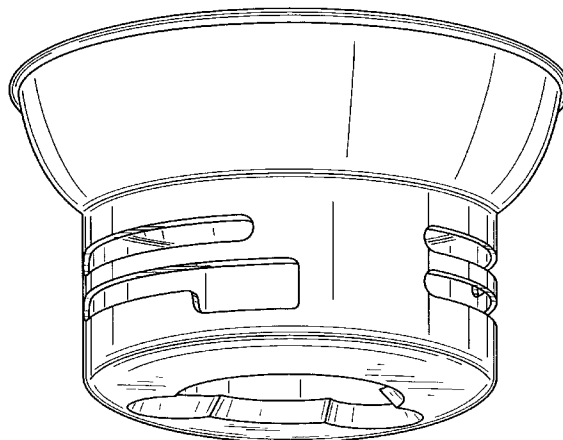
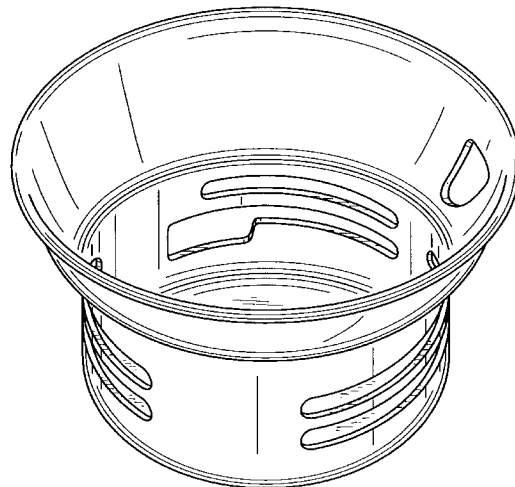
[56] References Cited

U.S. PATENT DOCUMENTS

D. 172,672 7/1954 Lennox D7/337

The portions of the article not shown in the drawings or described in the specification form no part of the claimed design.

1 Claim, 2 Drawing Sheets



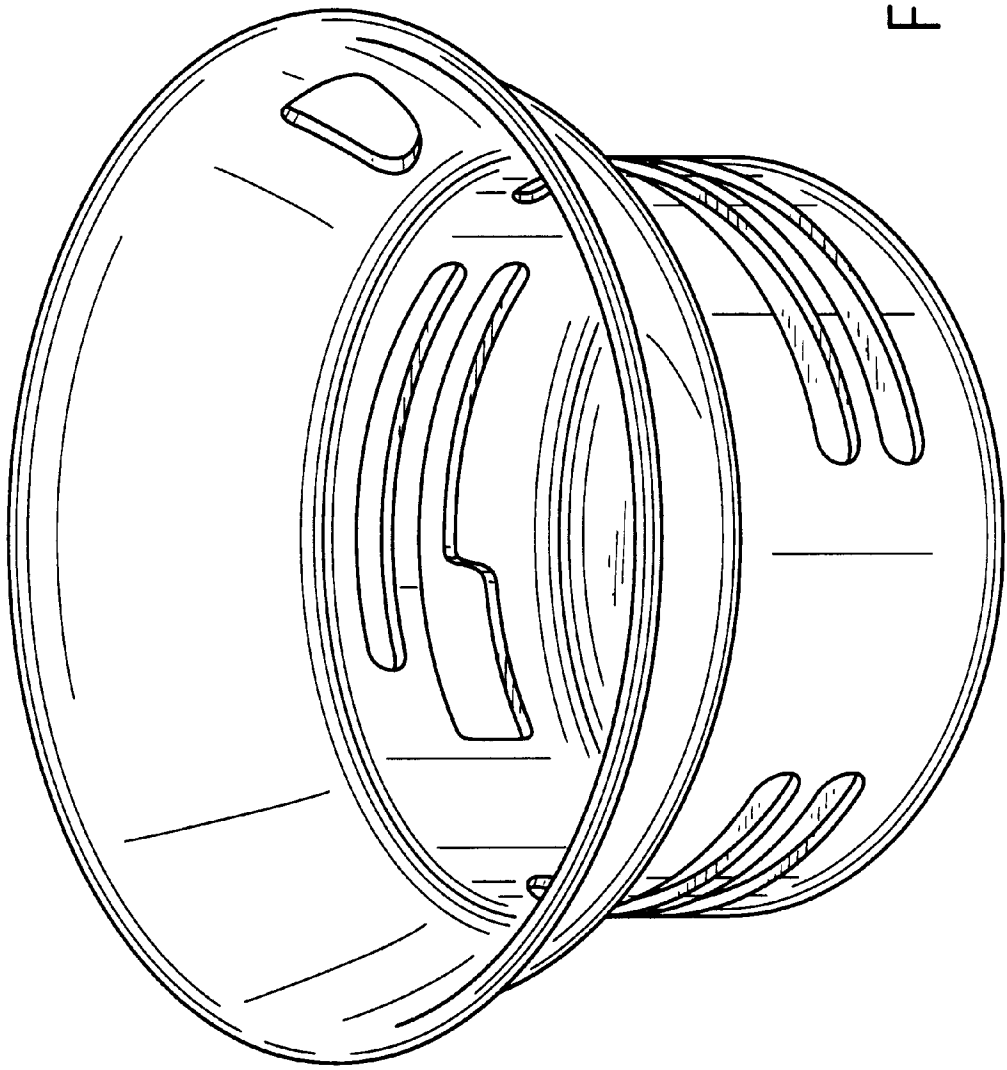


FIG. 1

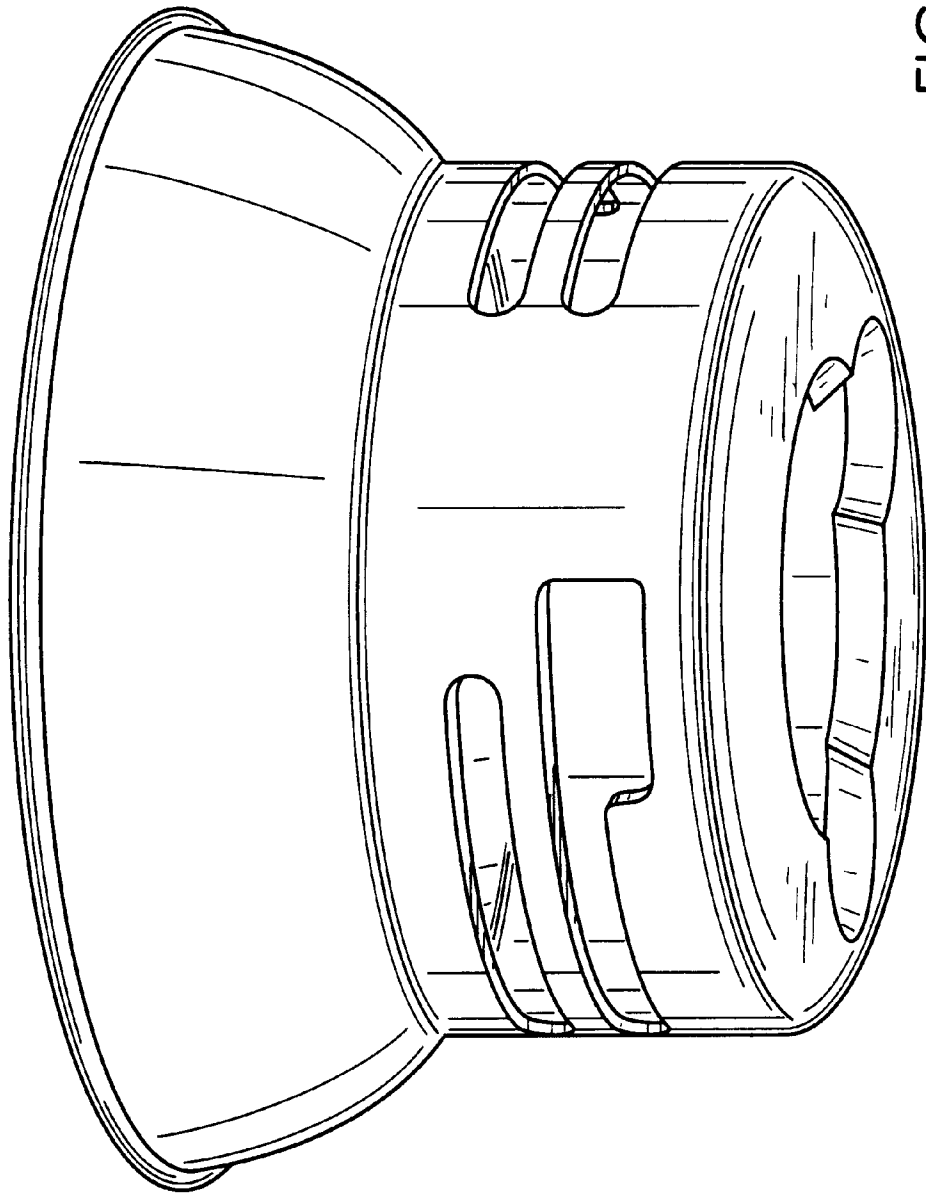


FIG. 2