



US00D422178S

**United States Patent** [19]  
**Persson**

[11] **Patent Number: Des. 422,178**  
[45] **Date of Patent: \*\* Apr. 4, 2000**

[54] **STAND FOR AN OPEN AIR STOVE**  
[75] Inventor: **Jerker Persson**, Göteborg, Sweden  
[73] Assignee: **Primus AB**, Solna, Sweden  
[\*\*] Term: **14 Years**

D. 371,716	7/1996	Jo	.....	D7/337
D. 375,223	11/1996	Parnell et al.	.....	D7/337
4,177,790	12/1979	Zenzaburo	.....	126/38
4,454,859	6/1984	Vincent	.....	126/38
5,803,727	9/1998	Long	.....	431/247

[21] Appl. No.: **29/082,097**  
[22] Filed: **Jan. 14, 1998**

*Primary Examiner*—Ruth McInroy  
*Attorney, Agent, or Firm*—Banner & Witcoff, Ltd

[57] **CLAIM**

The ornamental design for a stand for an open air stove, as shown and described.

[30] **Foreign Application Priority Data**  
Jul. 14, 1997 [SE] Sweden ..... 97-1611

**DESCRIPTION**

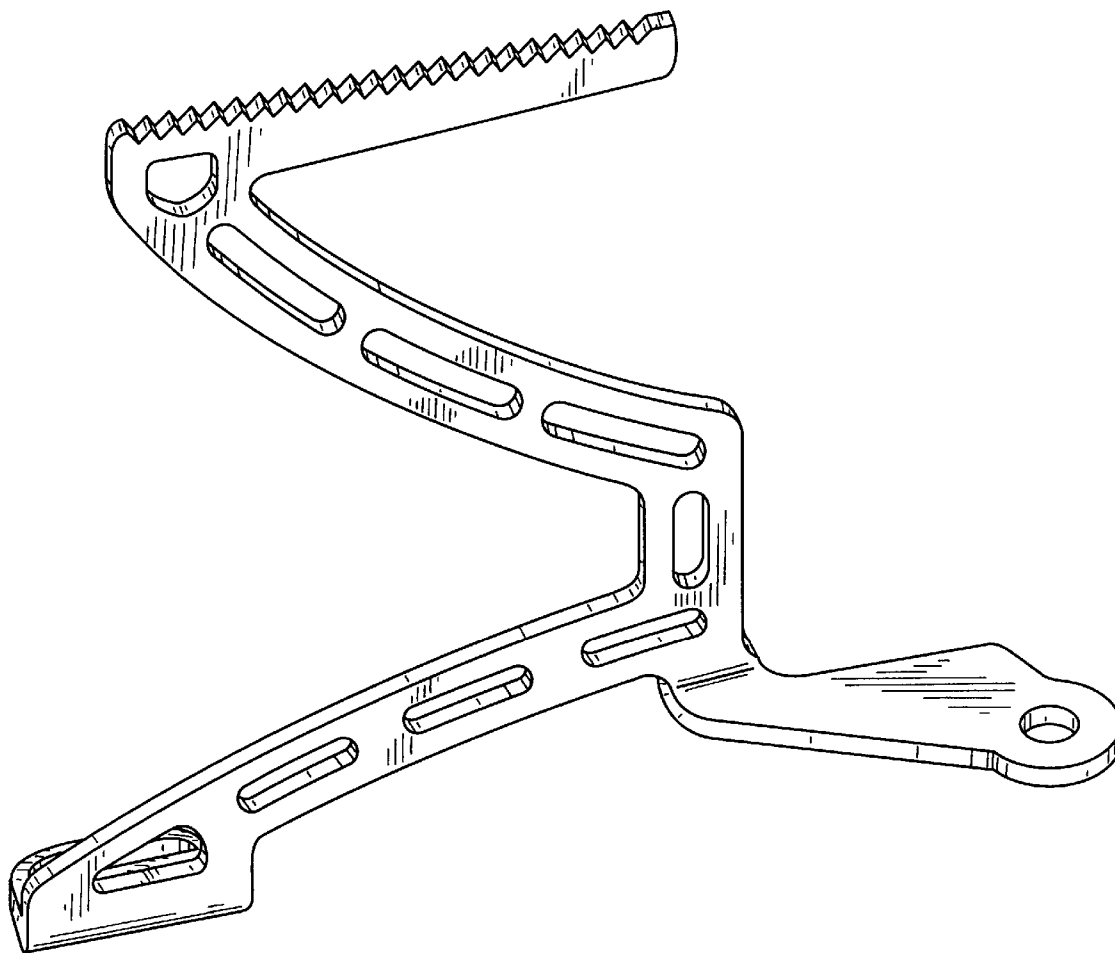
[51] **LOC (6) Cl.** ..... **07-02**  
[52] **U.S. Cl.** ..... **D7/403; D7/332**  
[58] **Field of Search** ..... D7/332-337, 402-404,  
D7/362; 126/9 R, 25 R, 29-30, 38, 39 E,  
40, 41 R, 39 R, 9 B, 44; 431/247, 207

FIG. 1 is a bottom perspective view of a stand for an open air stove showing my new design; and,  
FIG. 2 is a top perspective view of the stand for open air stove shown in FIG. 1.

The surfaces or portions of the article not shown in the drawing or described in the specification from no part of the claimed design.

[56] **References Cited**  
U.S. PATENT DOCUMENTS  
D. 355,809 2/1995 Kothrade ..... D7/337

**1 Claim, 2 Drawing Sheets**



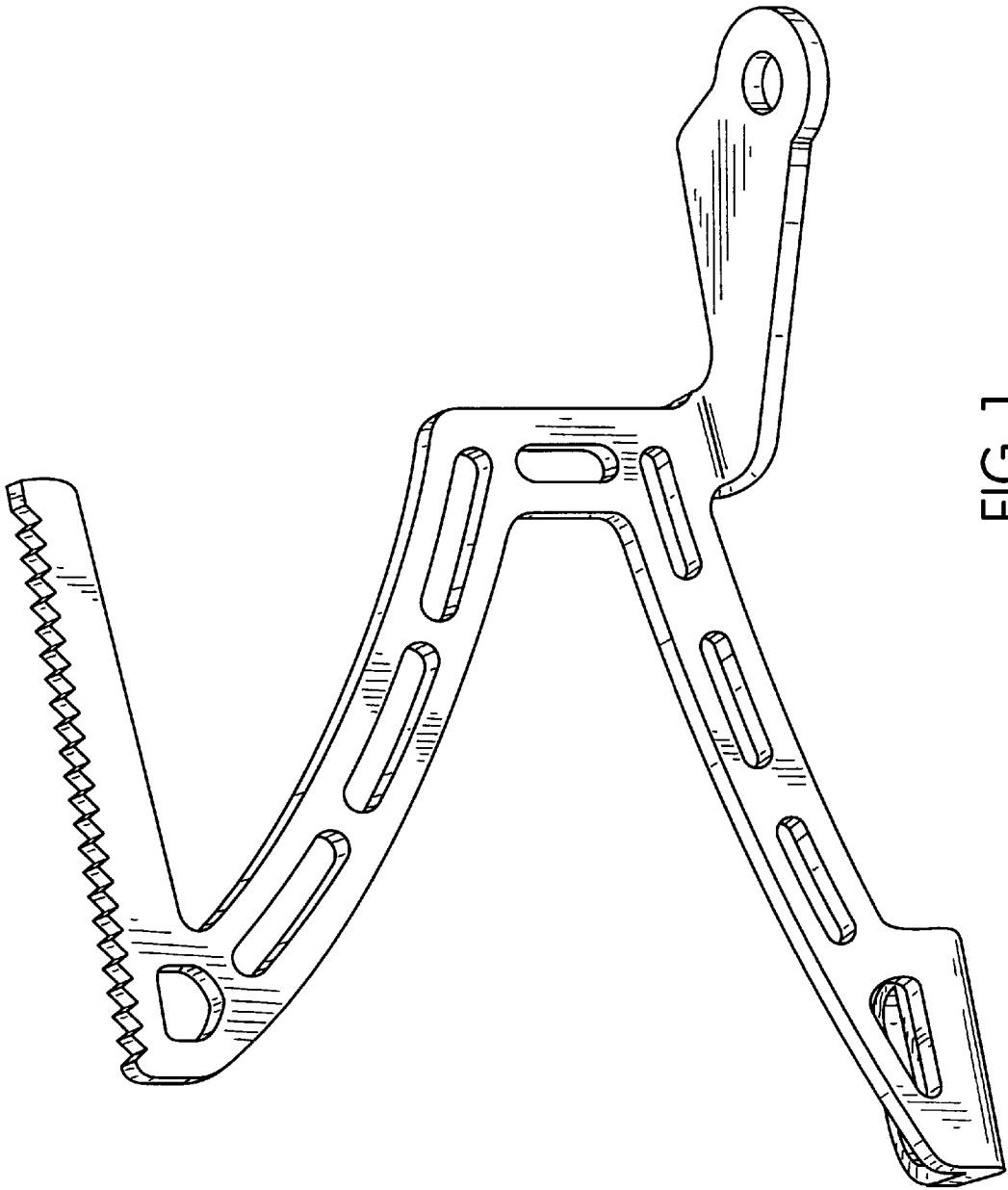


FIG. 1

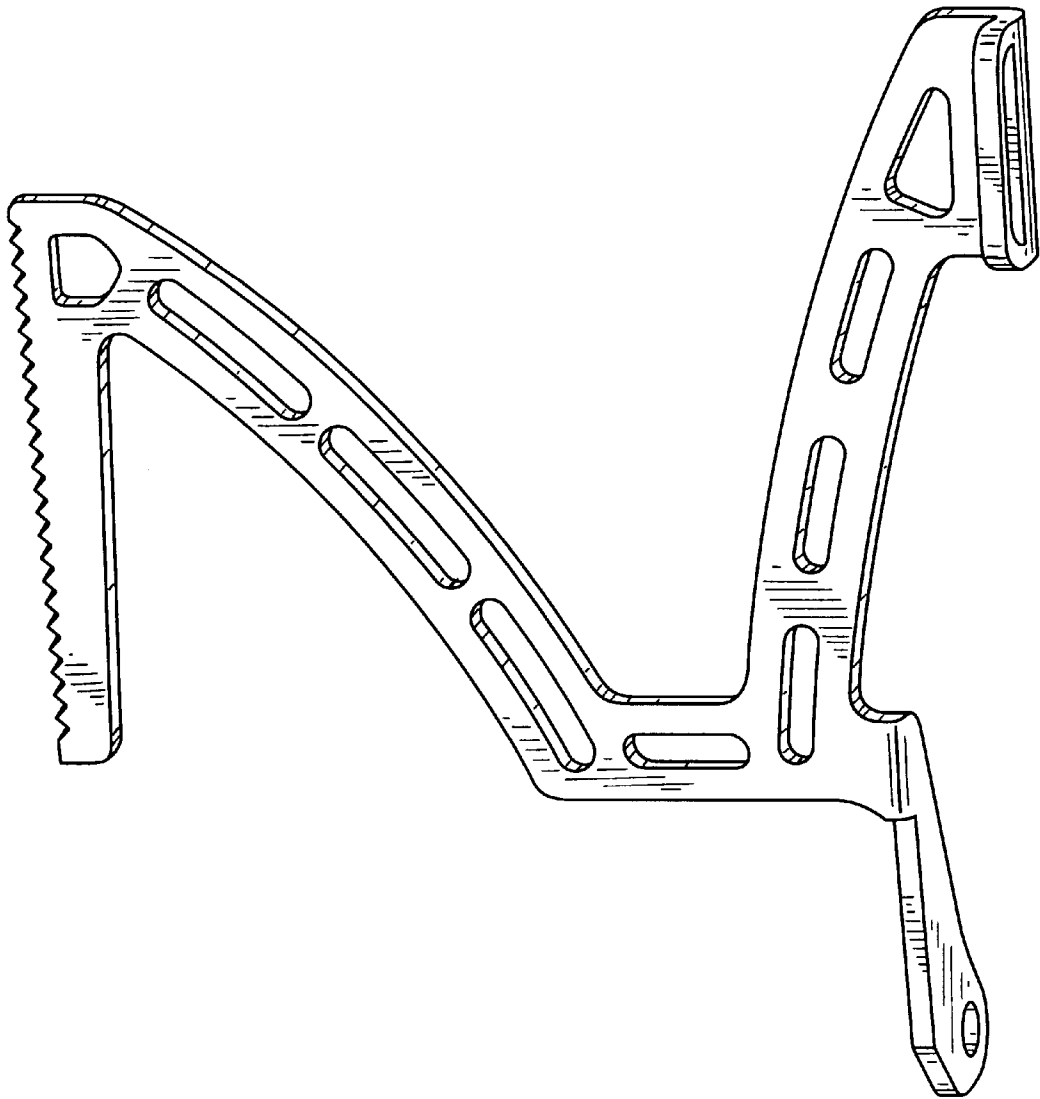


FIG. 2