



US00D416750S

United States Patent [19]
Persson

[11] **Patent Number: Des. 416,750**
[45] **Date of Patent: ** Nov. 23, 1999**

[54] **OPEN AIR STOVE**

4,177,790 12/1979 Zenzaburo 126/38
4,454,859 6/1984 Vincent 126/38
5,803,727 9/1998 Long 431/247

[75] Inventor: **Jerker Persson**, Göteborg, Sweden

[73] Assignee: **Primus AB**, Solina, Sweden

Primary Examiner—Ruth McInroy
Attorney, Agent, or Firm—Banner & Witcoff, Ltd.

[**] Term: **14 Years**

[57] **CLAIM**

[21] Appl. No.: **29/082,091**

The ornamental design for an open air stove, as shown and described.

[22] Filed: **Jan. 14, 1998**

[30] **Foreign Application Priority Data**

DESCRIPTION

Jul. 14, 1997 [SE] Sweden 97-1610

FIG. 1 is a top perspective view of an open air stove showing my new design;

[51] **LOC (6) Cl.** **07-02**

FIG. 2 is a bottom perspective view of the open air stove shown in FIG. 1;

[52] **U.S. Cl.** **D7/337**

[58] **Field of Search** D7/332, 337, 402-404,
D7/362; 126/9 R, 25 R, 29-30, 38, 39 E,
40, 41 R, 39 R, 9 B

FIG. 3 is an elevational view of the front side of the open air stove as shown in FIG. 1;

FIG. 4 is an elevational view of the rear side of the open air stove as shown in FIG. 1; and,

FIG. 5 is an elevational view of the left side of the open air stove as shown in FIG. 1.

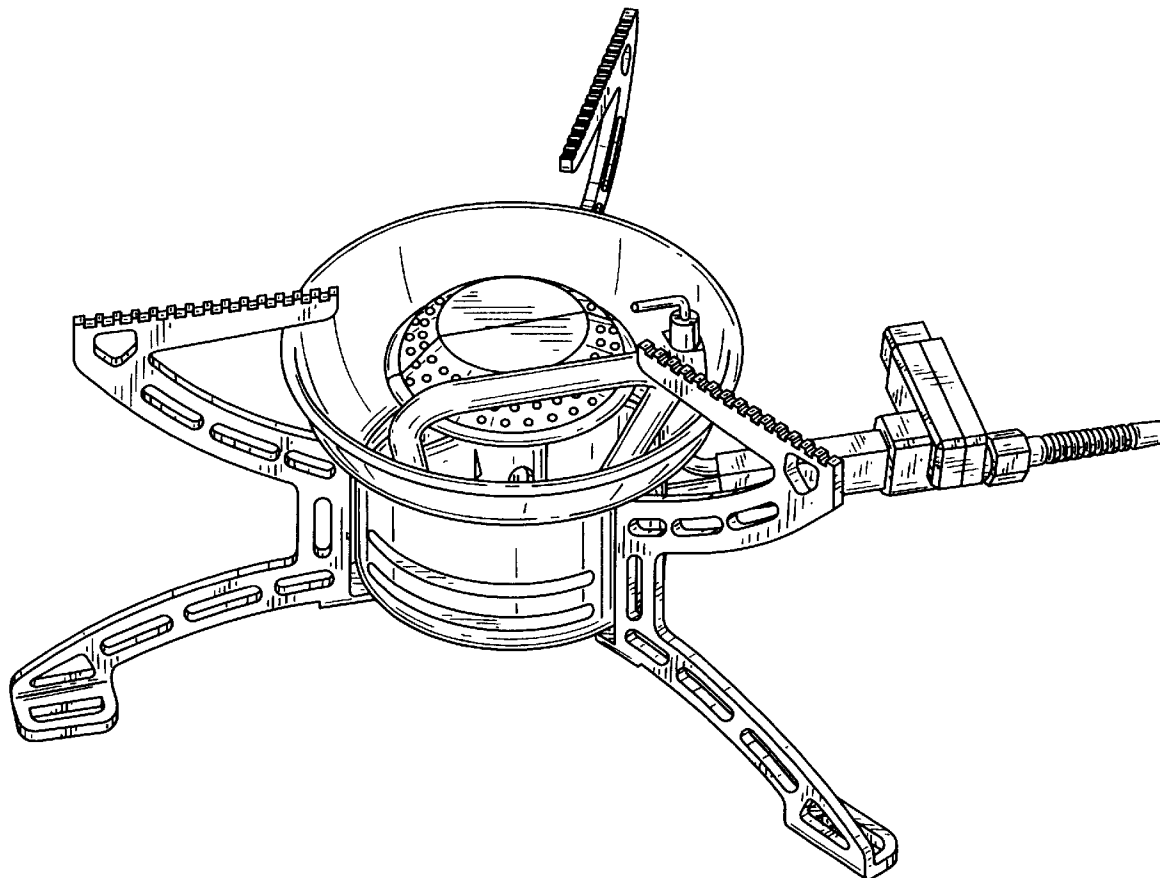
[56] **References Cited**

The portion not completely shown on the top in FIG. 1 forms no part of the claimed design.

U.S. PATENT DOCUMENTS

D. 355,809 2/1995 Kothrade D7/337
D. 371,716 7/1996 Jo D7/337
D. 375,223 11/1996 Parnell et al. D7/337

1 Claim, 5 Drawing Sheets



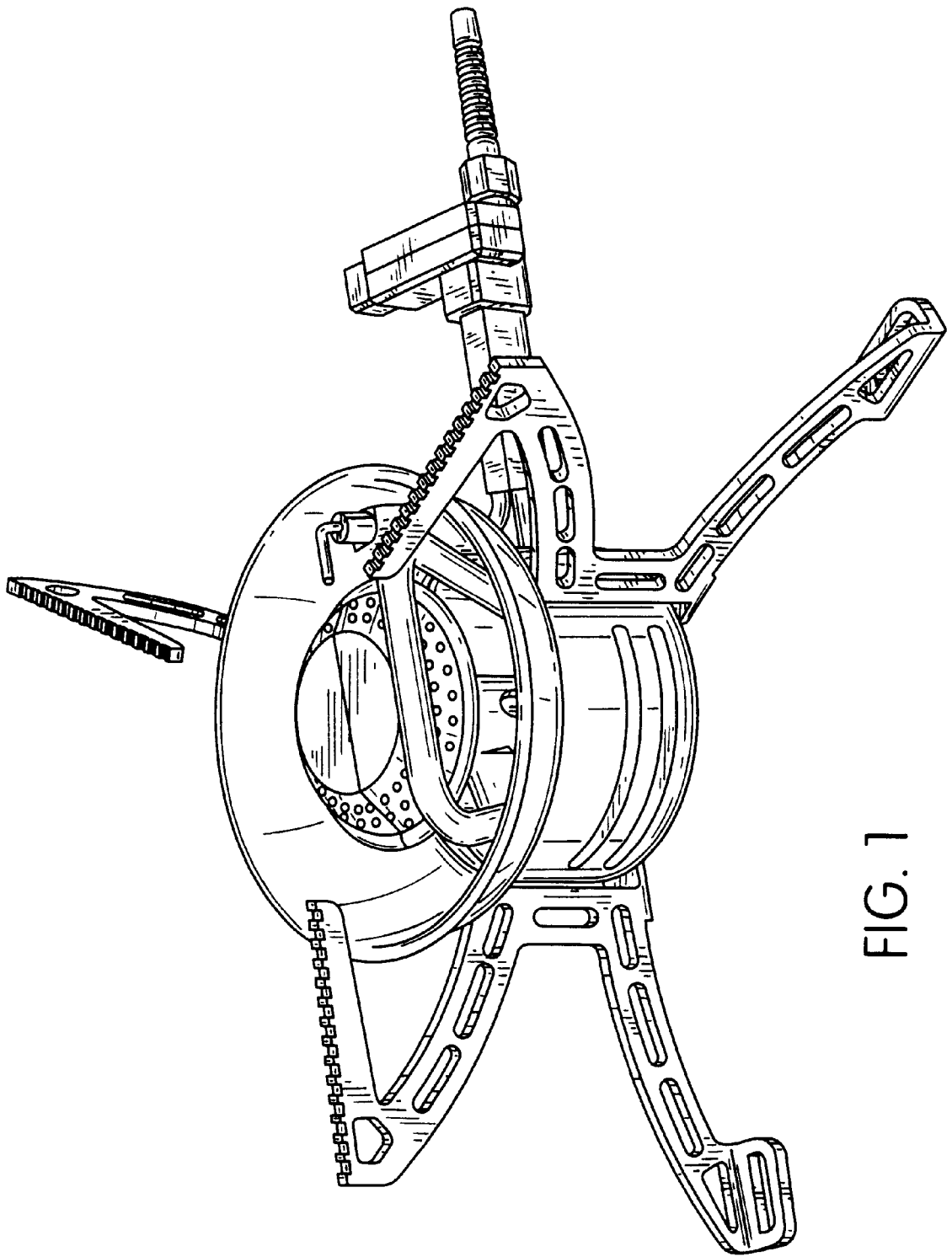


FIG. 1

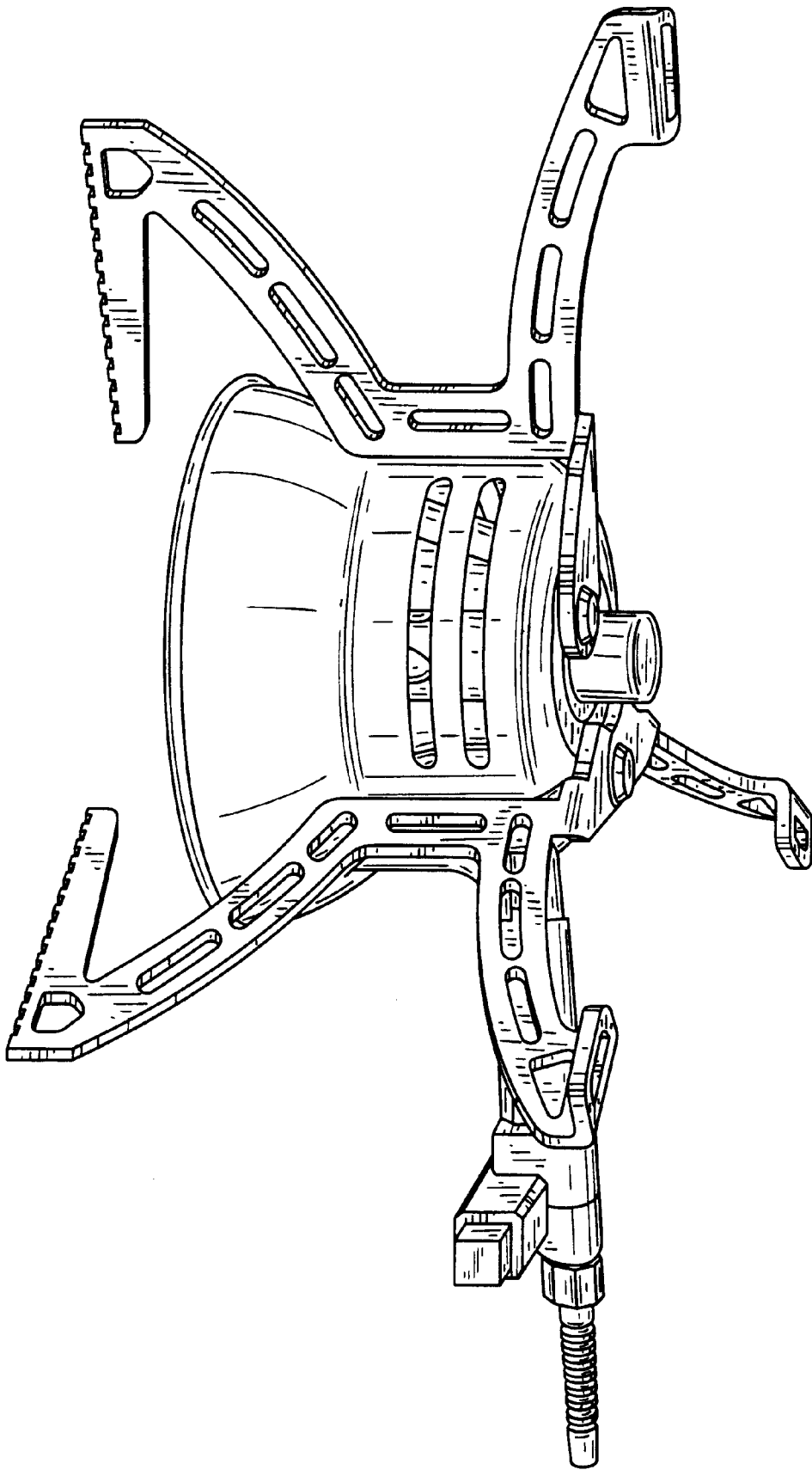


FIG. 2

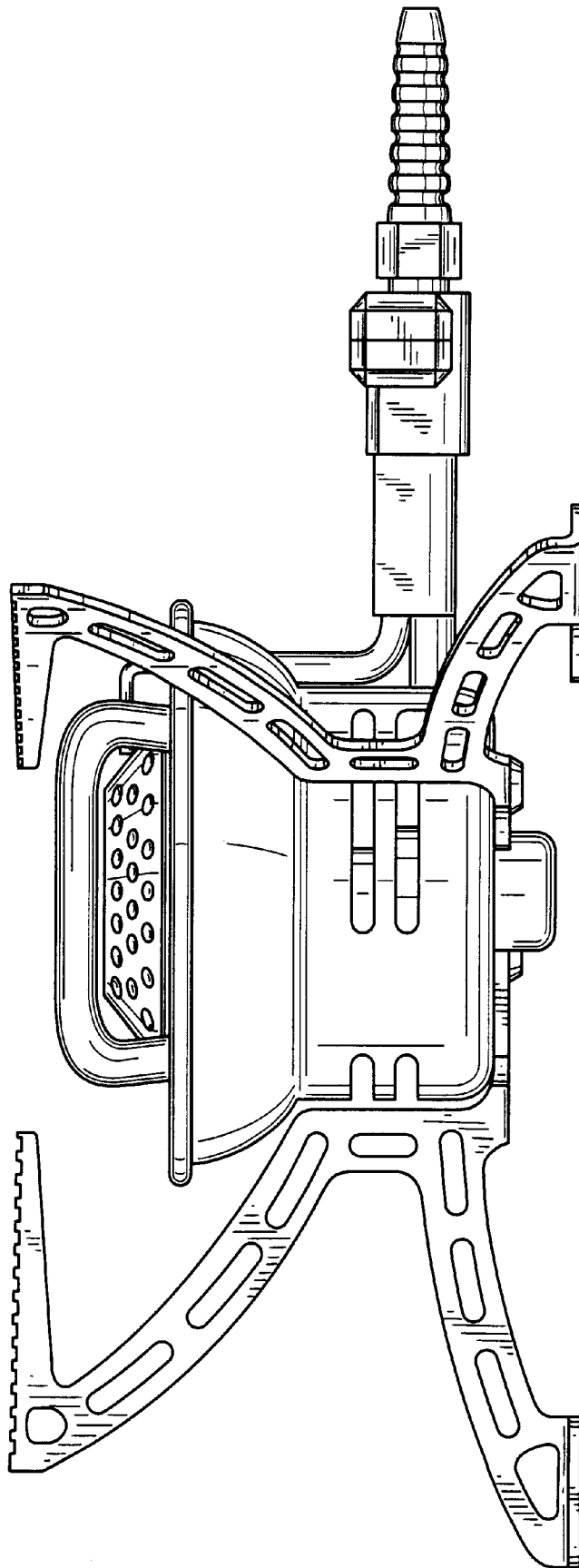


FIG. 3

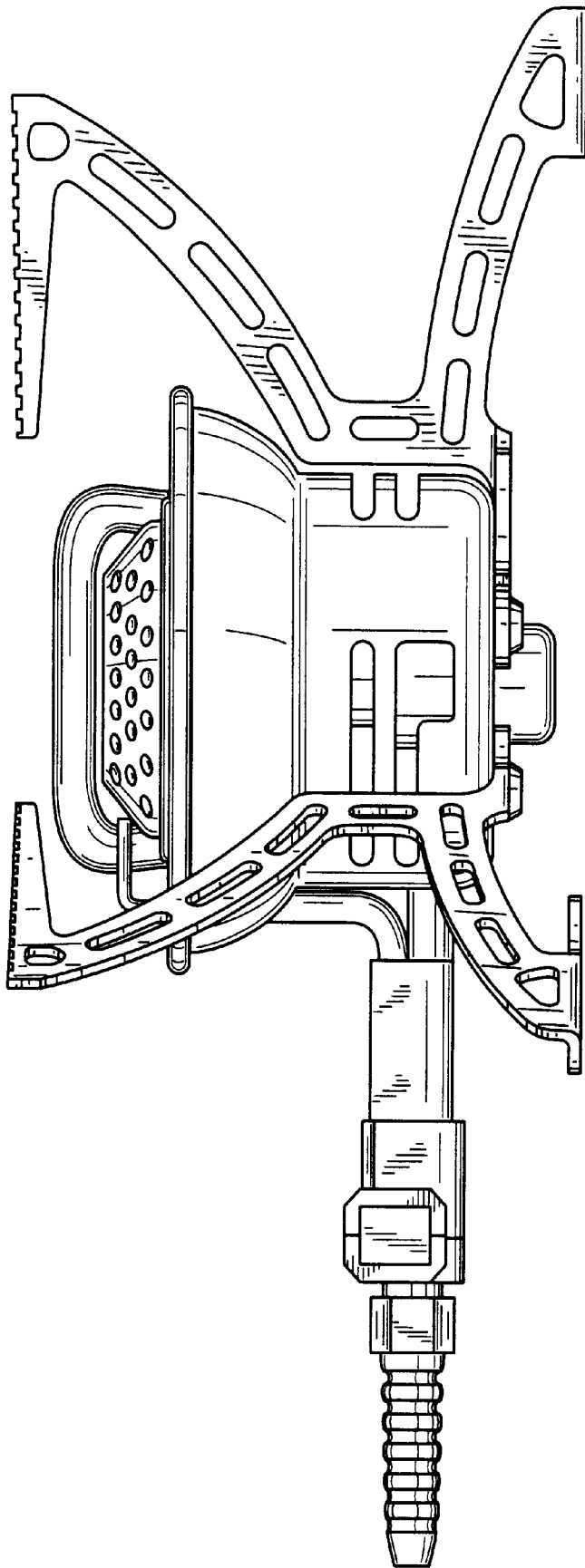


FIG. 4

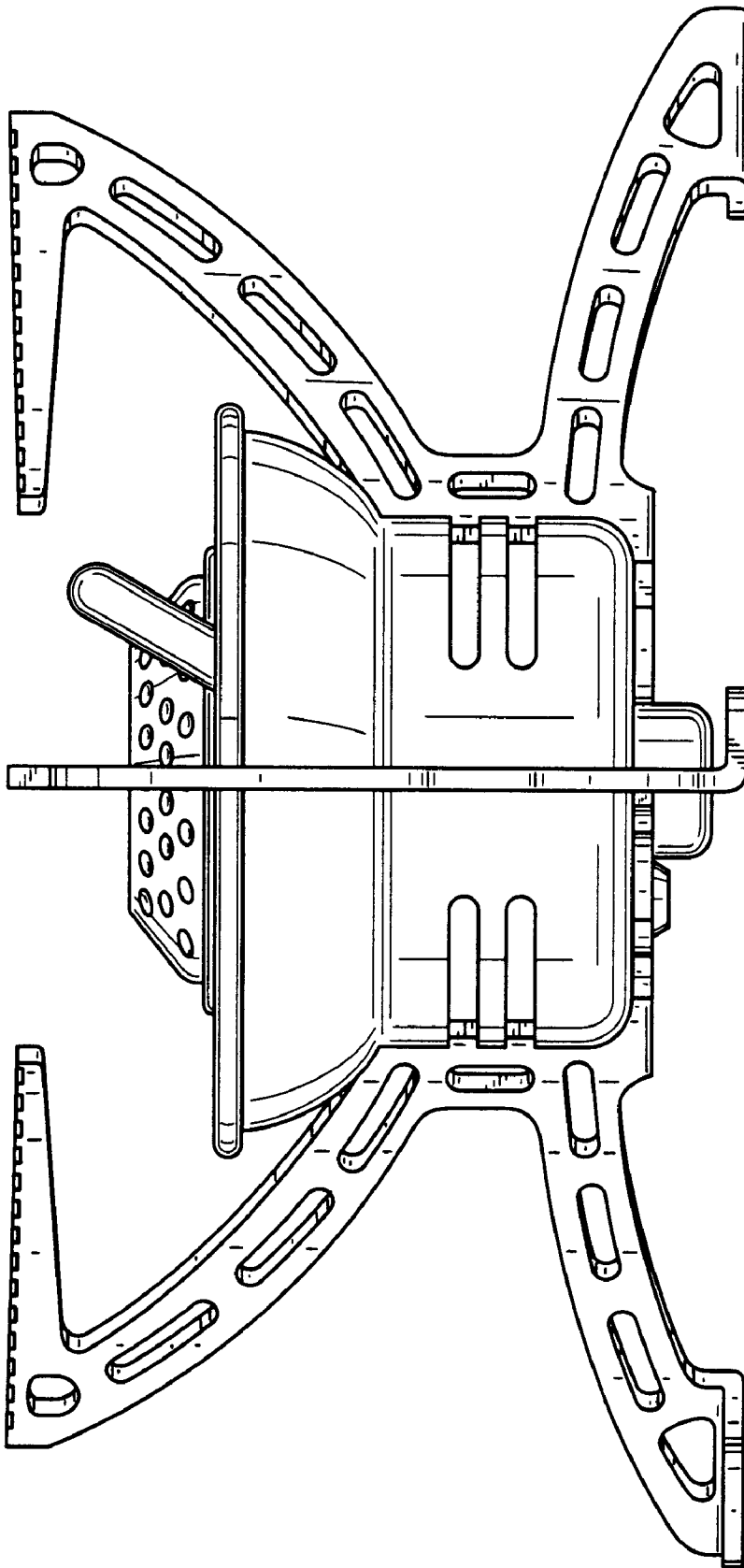


FIG. 5