



US00D615185S

(12) **United States Design Patent**  
**Davies et al.**

(10) **Patent No.:** **US D615,185 S**

(45) **Date of Patent:** **\*\* May 4, 2010**

(54) **ADJUSTABLE ALCOHOL BURNER**

(74) *Attorney, Agent, or Firm*—QuickPatents, Inc.; Kevin Prince

(76) Inventors: **James Davies**, 37031 Schafer, Polson, MT (US) 59860; **Michael Boehm**, 11279 Oakcrest Ave., Ojai, CA (US) 93023

(57) **CLAIM**

We claim the ornamental design for an adjustable alcohol burner, as shown and described.

(\*\*) **Term:** **14 Years**

(21) **Appl. No.:** **29/337,752**

(22) **Filed:** **May 28, 2009**

**DESCRIPTION**

(51) **LOC (9) Cl.** ..... **23-03**

(52) **U.S. Cl.** ..... **D23/415**

(58) **Field of Classification Search** ..... D23/331, D23/335-341, 343, 344, 346, 350, 386, 387, D23/390, 391, 393, 396-410, 415-421, 499; D7/335-337, 402, 407, 408; 126/12, 13.29, 126/44, 58, 92 AC, 144, 152 R, 215, 218, 126/219, 242, 243, 245, 500, 501, 509, 510, 126/544, 546, 548; 428/15, 21, 102; 431/125, 431/258, 268, 298, 302; D6/416; 239/34, 239/44, 132.1, 145

See application file for complete search history.

FIG. 1 is a perspective view of an adjustable alcohol burner, illustrated in an assembled configuration, showing our new design;

FIG. 2 is an exploded perspective view thereof, illustrating a base, a lid, and an adjustment ring thereof in a disassembled configuration;

FIG. 3 is a front elevational view of the adjustment ring thereof, the rear elevational view, left-side elevational view, and right-side elevational view each being a mirror image thereof;

FIG. 4 is a top plan view of the adjustment ring thereof;

FIG. 5 is a bottom plan view of the adjustment ring thereof;

FIG. 6 is a front elevational view of the lid thereof, the rear elevational view, left-side elevational view, and right-side elevational view each being a mirror image thereof;

FIG. 7 is a top plan view of the lid thereof;

FIG. 8 is a bottom plan view of the lid thereof;

FIG. 9 is a perspective view of the lid thereof;

FIG. 10 is a front elevational view of the base thereof, the rear elevational view, left-side elevational view, and right-side elevational view each being a mirror image thereof;

FIG. 11 is a top plan view of the base thereof; and,

FIG. 12 is a bottom plan view of the base thereof.

(56) **References Cited**

**U.S. PATENT DOCUMENTS**

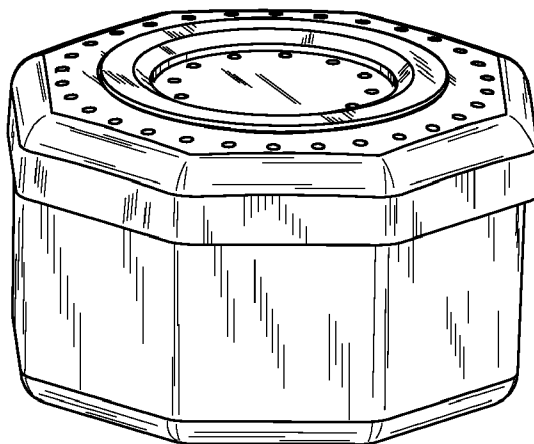
D19,126 S *	6/1889	Bell	.....	D23/386
466,867 A *	1/1892	Wojdkow	.....	431/326
D42,178 S *	2/1912	Roy	.....	D23/339
1,421,209 A *	6/1922	Gehrer	.....	431/249
1,421,284 A *	6/1922	Meikle	.....	126/43
2,165,390 A *	7/1939	Lamkin	.....	44/520
D196,018 S *	8/1963	Palmer et al.	.....	D7/337
3,240,256 A *	3/1966	Binkley et al.	.....	431/241
3,331,365 A *	7/1967	Sussan	.....	126/25 R

(Continued)

*Primary Examiner*—Robert M Spear

*Assistant Examiner*—Karen Acker

**1 Claim, 3 Drawing Sheets**



# US D615,185 S

Page 2

## U.S. PATENT DOCUMENTS

3,606,609 A *	9/1971	Lipper et al. ....	431/152	D420,441 S *	2/2000	Hall .....	D23/402
D228,274 S *	9/1973	Cross .....	D7/337	D440,289 S *	4/2001	Olson et al. ....	D23/350
D251,851 S *	5/1979	Palm et al. ....	D23/418	D453,372 S *	2/2002	Pecoskie .....	D23/332
D254,165 S *	2/1980	Woodward .....	D7/337	D491,257 S *	6/2004	Picken, Jr. ....	D23/366
D257,206 S *	10/1980	Vincent .....	D7/332	7,000,852 B1 *	2/2006	Chiu .....	239/44
D275,987 S *	10/1984	Schlegel .....	D23/410	7,086,607 B2 *	8/2006	Bresolin et al. ....	239/44
4,793,321 A *	12/1988	Rafford et al. ....	126/43	7,246,614 B2 *	7/2007	Huggins .....	126/44
5,653,162 A *	8/1997	Lunde .....	99/450	7,479,007 B2 *	1/2009	Kay .....	431/206
D390,935 S *	2/1998	Bosje et al. ....	D23/332	D602,148 S *	10/2009	DeFouw et al. ....	D23/403
5,881,709 A *	3/1999	Daoust .....	126/44	2005/0197055 A1 *	9/2005	Jensen .....	454/12
D410,536 S *	6/1999	Willey et al. ....	D23/332	2006/0118650 A1 *	6/2006	Yu .....	239/34
				2006/0211357 A1 *	9/2006	Barry et al. ....	454/12

\* cited by examiner

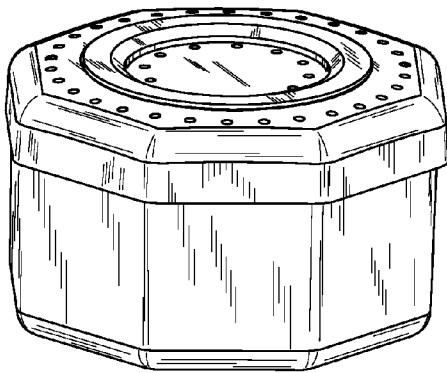


FIG. 1

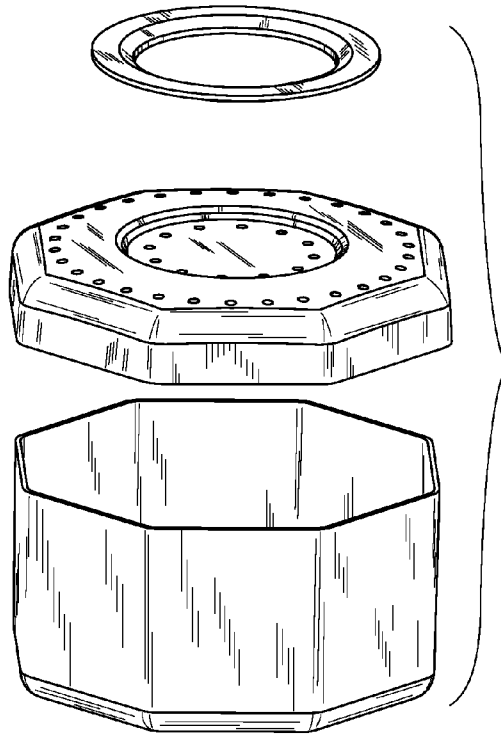


FIG. 2



FIG. 3

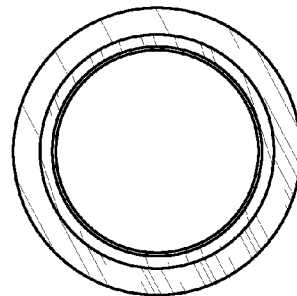


FIG. 4

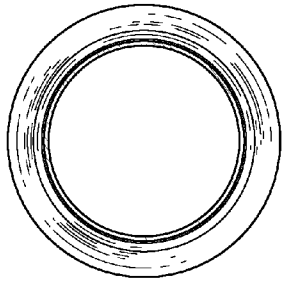


FIG. 5

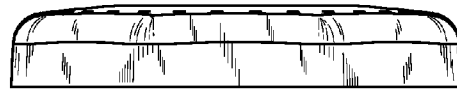


FIG. 6

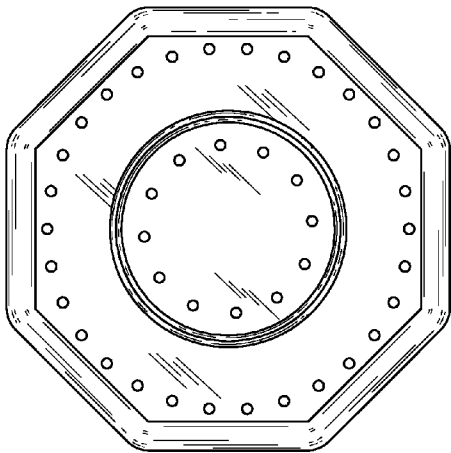


FIG. 7

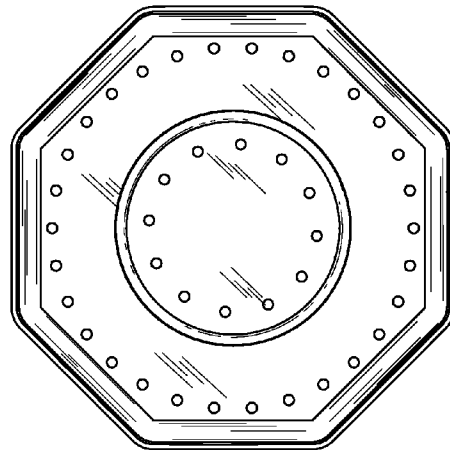


FIG. 8

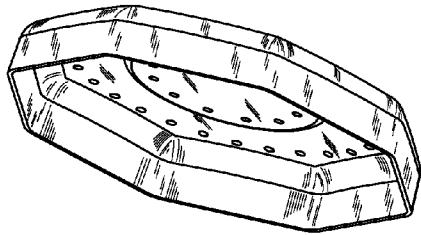


FIG. 9

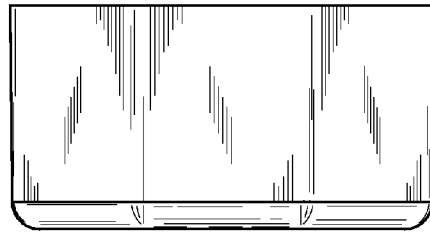


FIG. 10

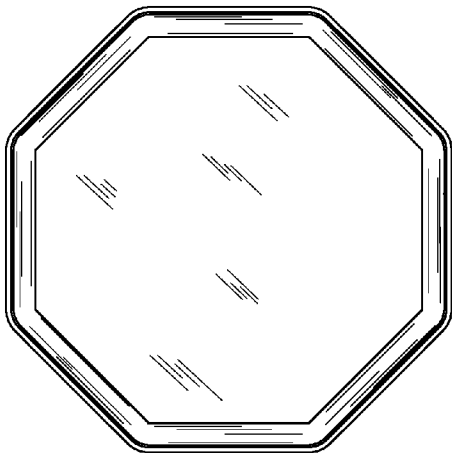


FIG. 11

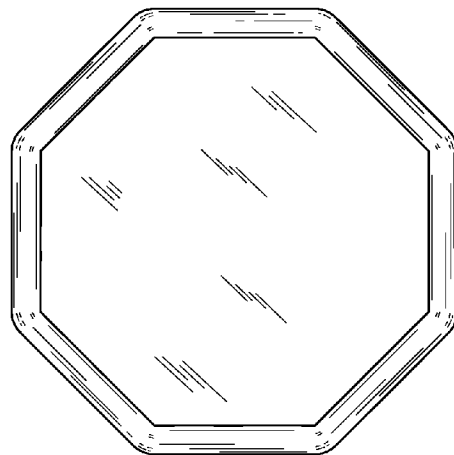


FIG. 12